

(4) Mounting Holes for M12 [1/2"] Screws.
See Detail A for top mounting hole dimensions.

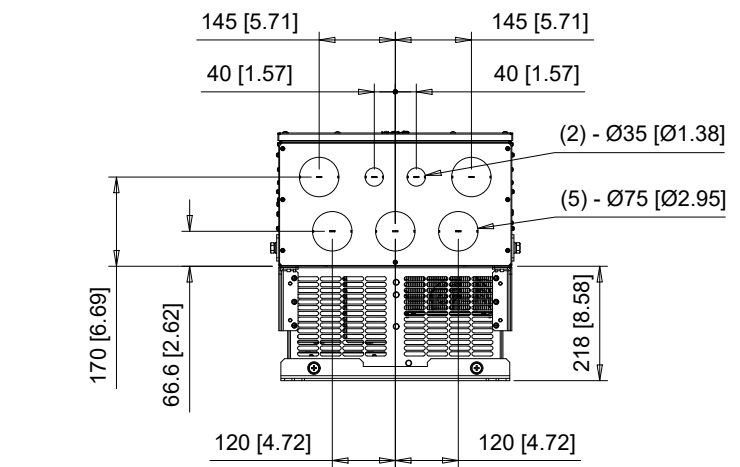
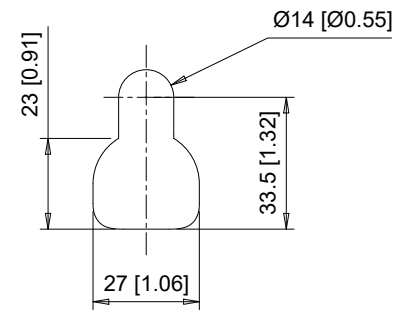
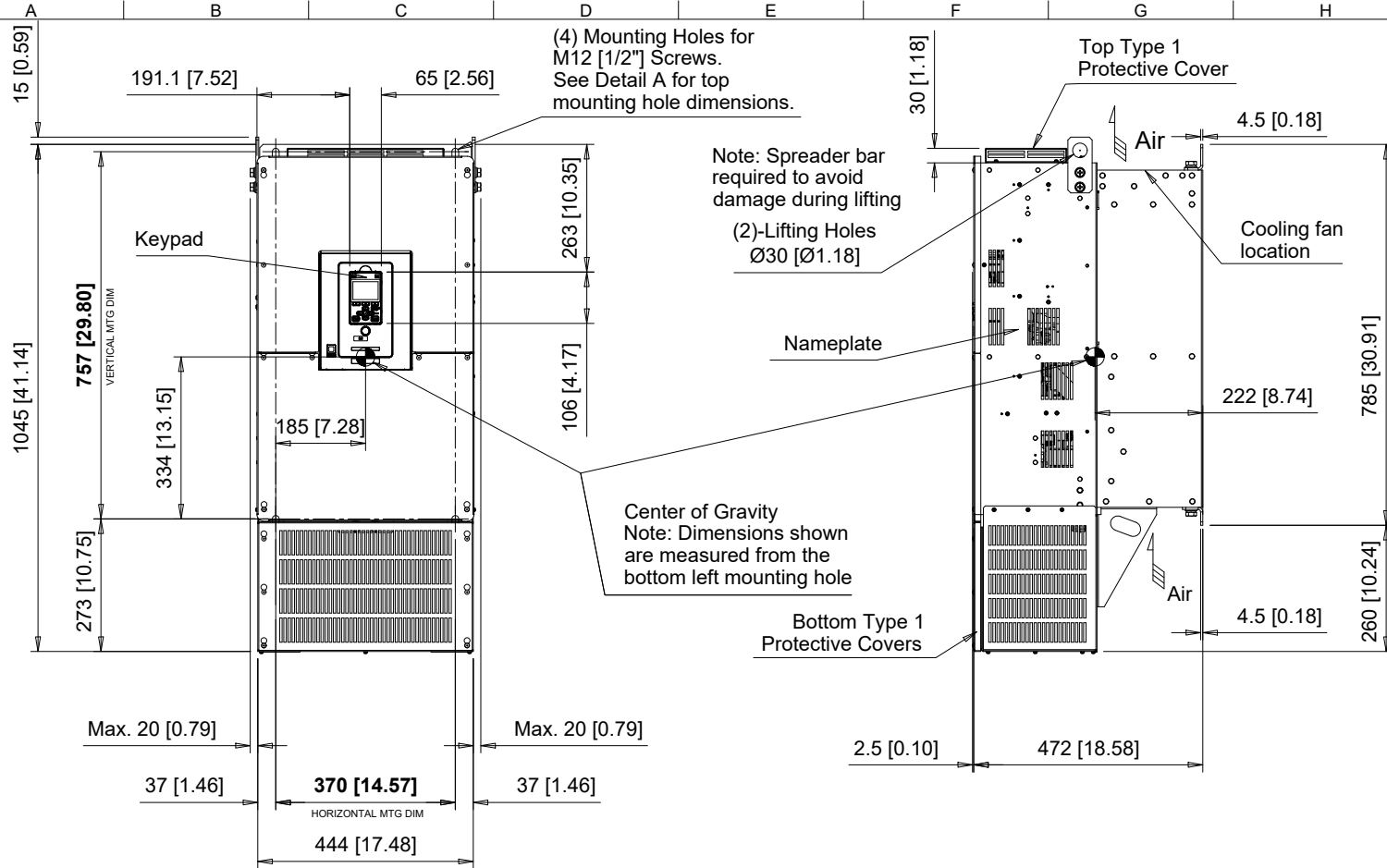
Note: Spreader bar required to avoid damage during lifting
(2)-Lifting Holes Ø30 [Ø1.18]

Center of Gravity
Note: Dimensions shown are measured from the bottom left mounting hole

Detail A
Top mounting hole dimensions
Scale 1:2

C/C:	INPUT VOLTAGE	WEIGHT	COOLING
HV60□	3-PHASE (VAC)	Kg (lb)	FANS
4302□□□	380 TO 480	134 (295)	2

□ denotes A-Z



YASKAWA

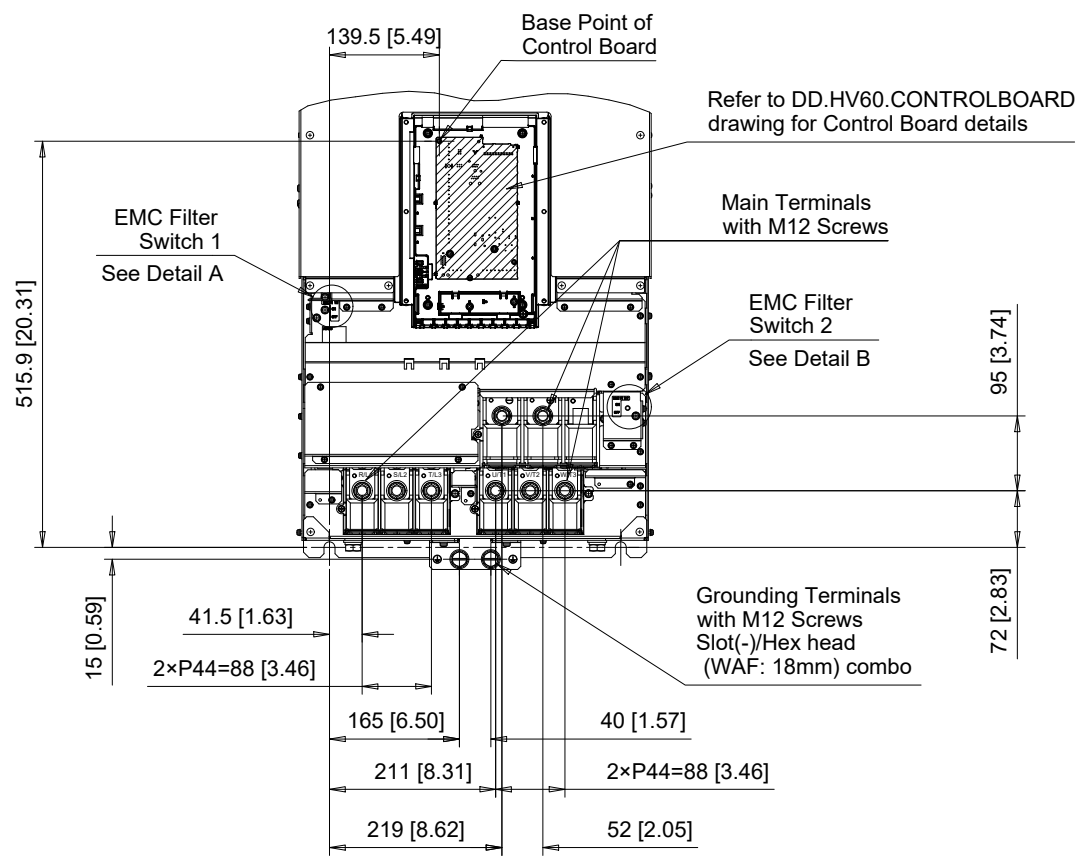


UNITS MM [IN]
SCALE 1:15

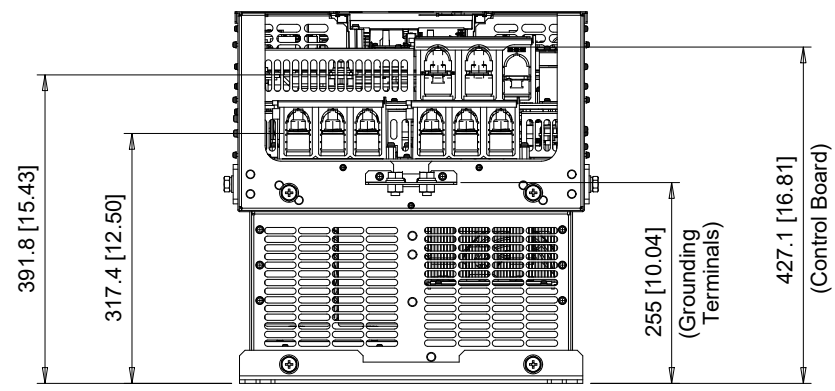
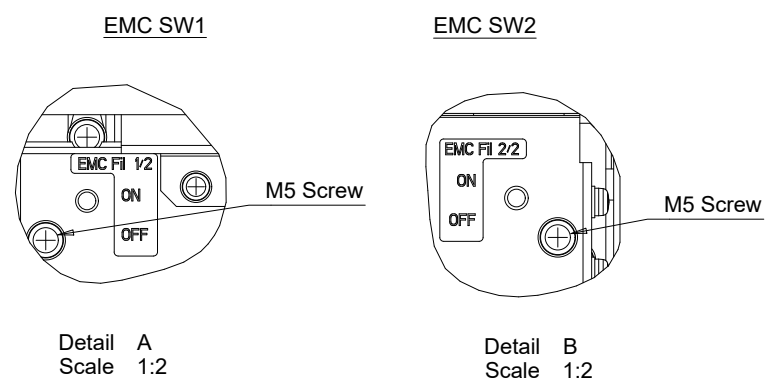
DRWN.	J. MATTAS	2-20-20
CHKD.	J. PIOTROWSKI	2-26-20
TECH.	L. UDDIN	3-10-20
APRV.	J. CAIRO	3-12-20

TITLE
HV600 DIMENSION DRAWING
FRAME SIZE 10
IP20/UL TYPE 1 ENCLOSURE

SIZE	A	PAGE	1 OF 3	REV	0
DWG.NO.		DD.HV60.FR10.T1			



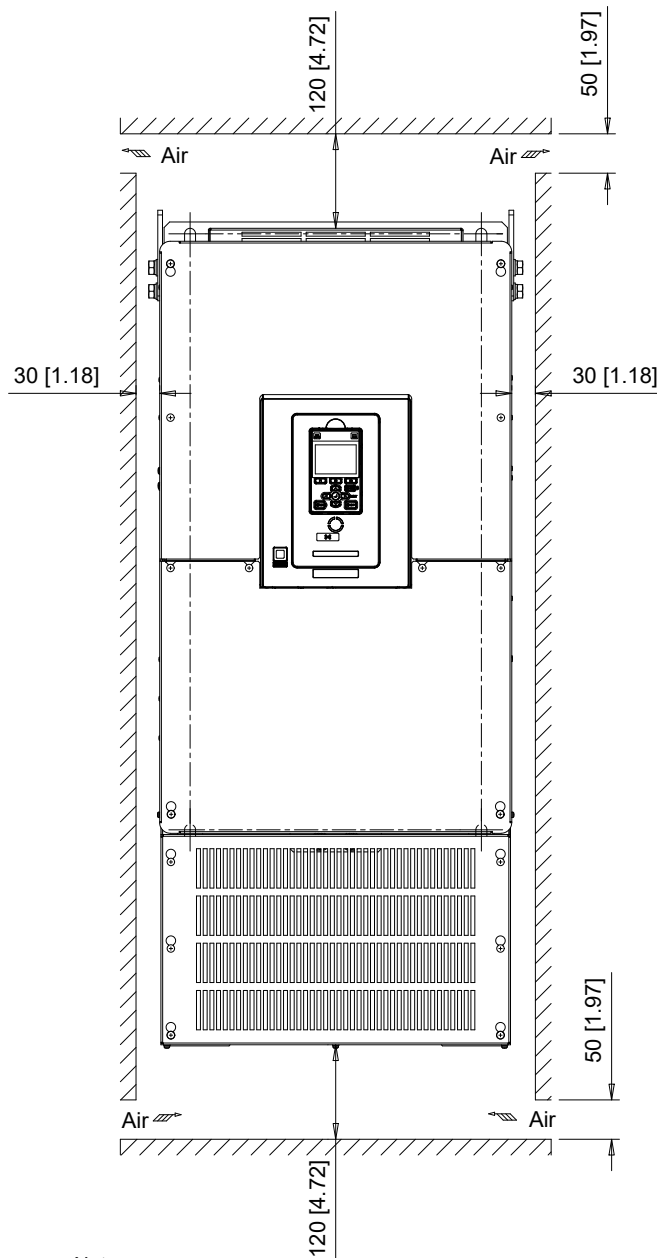
EMC FILTER SWITCHES



C/C: HV60 □	TERMINAL SYMBOL	WIRE RANGE AWG (mm ²)	TERMINAL SCREW	CLAMPING TORQUE N.m. (lb.in.)
4302 □ □ □	R/L1, S/L2, T/L3	2/0 - 300 x 2P (70 - 150 x 2P)	M12	35 (310)
	U/T1, V/T2, W/T3	2/0 - 300 x 2P (70 - 150 x 2P)	M12	35 (310)
	-, +1	3 - 400 x 2P (30 - 205 x 2P)	M12	35 (310)
	⊕	1 - 350 (40 - 185)	M12	32 - 40 (283 - 354)

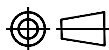
□ Denotes A-Z
Note: Refer to applicable codes and standards for proper wire type and size.

Minimum Installation Clearances (Scale 1:10)



Note:
For alternate mounting configurations, consult manual.

YASKAWA



UNITS MM [IN]
SCALE ABOVE

DRWN.	J. MATTAS	2-20-20
CHKD.	J. PIOTROWSKI	2-26-20
TECH.	L. UDDIN	3-10-20
APRV.	J. CAIRO	3-12-20

TITLE
HV600 DIMENSION DRAWING
FRAME SIZE 10
IP20/UL TYPE 1 ENCLOSURE

SIZE A PAGE 3 OF 3
DWG.NO. DD.HV60.FR10.T1

REV
0